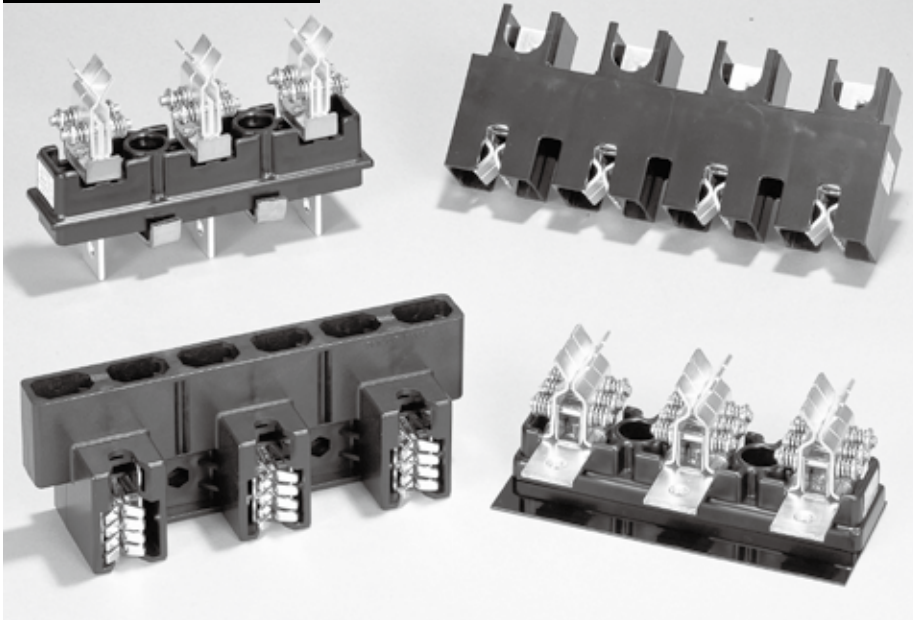


PRIMARY POWER DISCONNECT DEVICE

# CONTROL CENTER PARTS

## LINE SIDE SERIES



### SPECIFICATIONS

Specification	Basic type	KJ	NJ	CJ	HJ	HCJ	PDS	KJ-PS
Type		KJ-125F KJ-125FL KJ-250F KJ-250FL KJ-125B KJ-125BL KJ-250B KJ-250BL	NJ-125F NJ-125FL NJ-250F NJ-250FL NJ-250F6	CJ-125F CJ-125FL	HJ-125B HJ-125BL HJ-125B4 HJ-125BL4 HJ-250B HJ-250BL HJ-250B4 HJ-250BL4	HCJ-125B HCJ-125BL HCJ-125B4 HCJ-125BL4	PDS-100A PDS-100A1 PDS-200A PDS-200A1 PDS-350A PDS-350A1	KJ-PS
Rated insulation voltage (Ui)	600V							
Rated current-carrying capacity (Ith)	125A 250A	125A 250A	125A	125A 250A	125A	125A	100A 200A 350A	250A
Number of poles	3-poles	3-poles	3-poles	3-poles	3-poles 4-poles	3-poles 4-poles	1-pole 3-poles	3-poles
Screw size	M8						Crimp type	M8
Rated withstand voltage	3,000V AC / 1 min.							
Lightning impulse	±10kV / 3 times for each pole (1.2 / 50 µs)							
Operating temperature	-25 to 50°C							
Storing temperature	-40 to 85°C							
Altitude	2,000 m max.							

## HOW TO ORDER

# KJ-125 F L Moisture resistance

**Basic type**

Basic type	Current	
KJ	KJ-125F	125A
	KJ-125FL	
	KJ-250F	
	KJ-250FL	250A
	KJ-125B	
	KJ-125BL	
NJ	KJ-250B	125A
	KJ-250BL	
	KJ-250FL	
	NJ-125F	250A
	NJ-125FL	
	NJ-250F	
CJ	NJ-250FL	250A (High short-circuit current)
	NJ-250F6	
HJ	CJ-125F	125A
	CJ-125FL	
HCJ	HJ-125B	125A
	HJ-125BL	
	HJ-125B4	
	HJ-125BL4	250A
	HJ-250B	
	HJ-250BL	
PDS	HJ-250B4	125A
	HJ-250BL4	
	HJ-250BL4	
KJ-PS	HCJ-125B	200A
	HCJ-125BL	
	HCJ-125B4	
	HCJ-125BL4	350A
	HCJ-125BL4	
KJ-PS	PDS-100A	100A
	PDS-100A1	
	PDS-200A	200A
	PDS-200A1	
	PDS-350A	350A
PDS-350A1		
KJ-PS	KJ-PS	250A

**Tropical version (custom-made)**  
Terminal screws are made of stainless steel.

**Bus bar thickness**

Code	Thickness
(none)	5~6mm
L	3~4mm

**Wire connection type and bus tickness**

Code	Wire connection	Type
F	Front connection (3 pole)	KJ, NJ CJ
B	Back connection (3 pole)	KJ, HJ HCJ
B4	Back connection (4 pole)	HJ, HCJ
A	Crimp style (3 pole)	PDS
A1	Crimp style (3 pole) (1 pole additional product for 4 pole use.)	PDS

\* Contact us for using lubricant at contacting parts.



LINE SIDE SERIES (PRIMARY POWER DISCONNECT DEVICE)

# PDS TYPE

An electric wire is crimped to the contact.  
This series offers compact models that meet all of wiring and space saving, and high reliability.

## FEATURES

### ■Excellent contactor structure

The W-M grip of a new mechanism has greatly improved the short-circuit current characteristics.  
The screwless design assures that the contact is completely protected at high reliability.  
[The W-M grip is a new connecting method utilizing magnetic force of multiple contacts.]

## SPECIFICATIONS (RATINGS, PERFORMANCE)

Type	PDS-100A	PDS-100A1	PDS-200A	PDS-200A1	PDS-350A	PDS-350A1
Rated insulation voltage (Ui)	AC1,000 / DC1,200V					
Rated current-carrying capacity (Ith)	100A		200A		350A	
Bus thickness	5 to 6mm					
Product weight	310g	135g	360g	150g	600g	245g

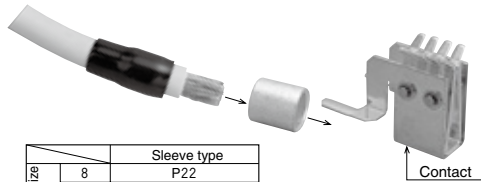
## INSTRUCTION FOR CONNECTION

### ■Connection procedure

- (1) Strip the electric wire sheath to an appropriate extent and pass the insulation cap through.



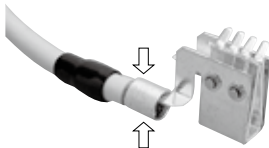
- (2) Select a sleeve from the following table and pass the contact and electric wire through the sleeve.



Electric wire size (mm <sup>2</sup> )	Sleeve type	
	8	P22
14	P22	
22	P38	
38	P60	
60	P70	

\* The sleeve type is of J.S.T. Mfg Co., Ltd.

- (3) Crimp the sleeve with the dedicated crimping tool (equivalent to YET-80W made by J.S.T. Mfg Co., Ltd.)



- (4) Cover the crimped sleeve with the insulation cap.

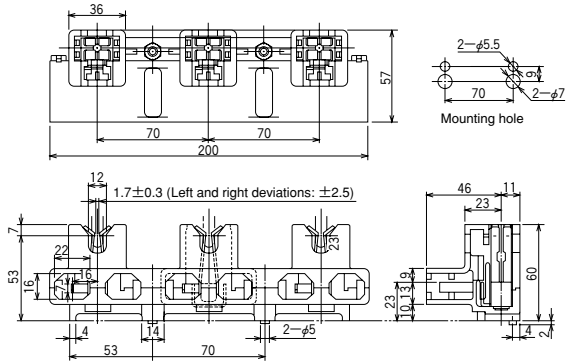


# CONTROL CENTER PARTS

## STANDARD PRODUCTS

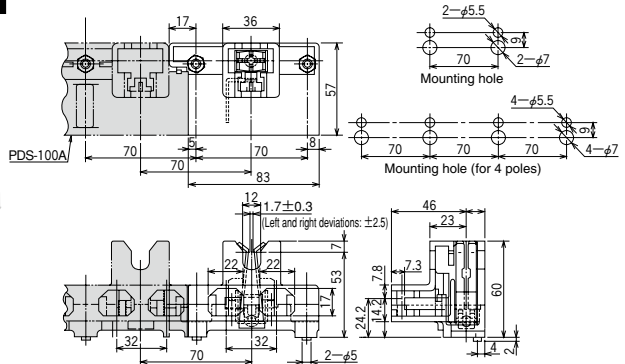
### PDS-100A

- Crimp style -



### PDS-100A1

- Crimp style -

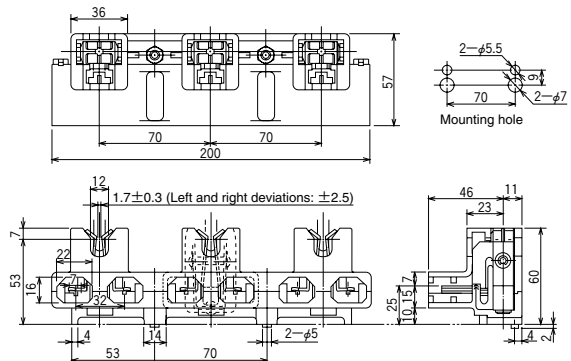


\* This type of the PDA-100A is used for 4 poles.

(Used only as set of PDS-100A)

### PDS-200A

- Crimp style -



A SWITCH

B PILOT LAMP & INDICATOR

C CONNECTING DEVICES

D ELECTRONIC DEVICES

E CONTROL CENTER PARTS



LINE SIDE SERIES (PRIMARY POWER DISCONNECT DEVICE)

# PDS TYPE

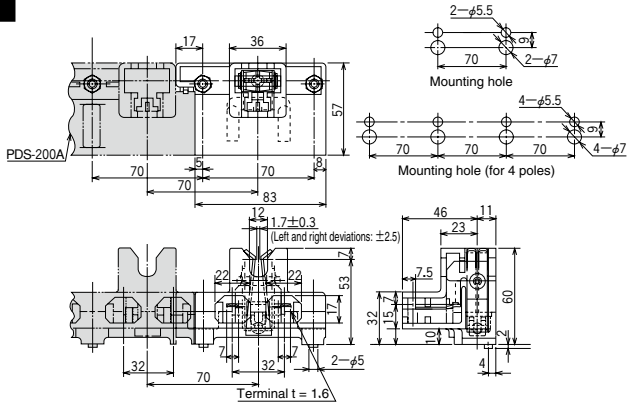
## STANDARD PRODUCTS

### PDS-200A

- Crimp style -

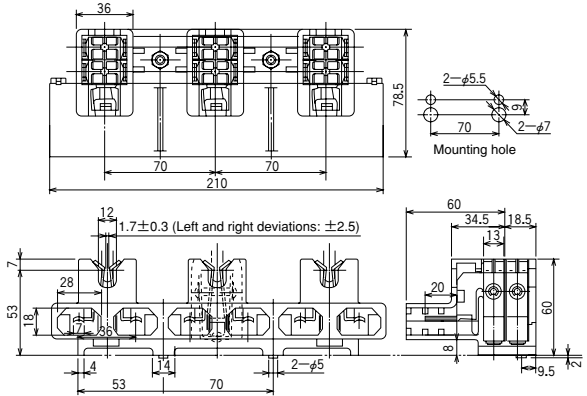


\* This type of the PDS-200A is used for 4 poles.  
(Used only as set of PDS-200A)



### PDS-350A

- Crimp style -



### PDS-350A1

- Crimp style -



\* This type of the PDS-350A1 is used for 4 poles.  
(Used only as set of PDS-350A1)

