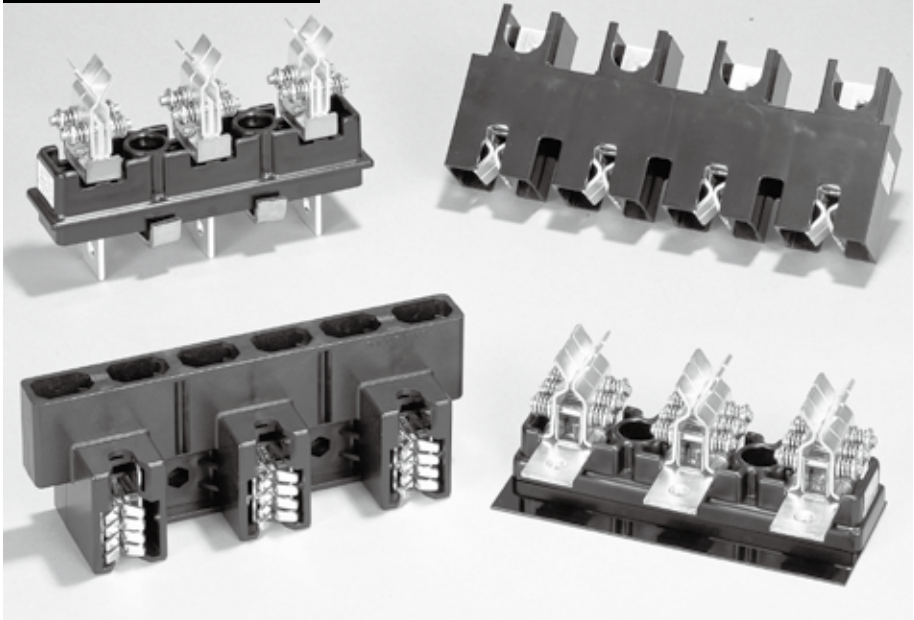


PRIMARY POWER DISCONNECT DEVICE

CONTROL CENTER PARTS

LINE SIDE SERIES



SPECIFICATIONS

Specification	Basic type	KJ	NJ	CJ	HJ	HCJ	PDS	KJ-PS
Type		KJ-125F KJ-125FL KJ-250F KJ-250FL KJ-125B KJ-125BL KJ-250B KJ-250BL	NJ-125F NJ-125FL NJ-250F NJ-250FL NJ-250F6	CJ-125F CJ-125FL	HJ-125B HJ-125BL HJ-125B4 HJ-125BL4 HJ-250B HJ-250BL HJ-250B4 HJ-250BL4	HCJ-125B HCJ-125BL HCJ-125B4 HCJ-125BL4	PDS-100A PDS-100A1 PDS-200A PDS-200A1 PDS-350A PDS-350A1	KJ-PS
Rated insulation voltage (UI)		600V						
Rated current-carrying capacity (Ith)		125A 250A	125A 250A	125A	125A 250A	125A	100A 200A 350A	250A
Number of poles		3-poles	3-poles	3-poles	3-poles 4-poles	3-poles 4-poles	1-pole 3-poles	3-poles
Screw size		M8					Crimp type	M8
Rated withstand voltage		3,000V AC / 1 min.						
Lightning impulse		±10kV / 3 times for each pole (1.2 / 50 µs)						
Operating temperature		-25 to 50°C						
Storing temperature		-40 to 85°C						
Altitude		2,000 m max.						

HOW TO ORDER

KJ-125 F L Moisture resistance

Basic type

Basic type		Current
KJ	KJ-125F	125A
	KJ-125FL	
	KJ-250F	
	KJ-250FL	250A
	KJ-125B	
	KJ-125BL	
NJ	KJ-250B	125A
	KJ-250BL	
	KJ-250FL	
	NJ-125F	250A
	NJ-125FL	
	NJ-250F	
CJ	NJ-250FL	250A (High short-circuit current)
	NJ-250F6	
HJ	CJ-125F	125A
	CJ-125FL	
HCJ	HJ-125B	125A
	HJ-125BL	
	HJ-125B4	
	HJ-125BL4	250A
	HJ-250B	
	HJ-250BL	
PDS	HJ-250B4	125A
	HJ-250BL4	
	HJ-250BL4	
KJ-PS	HCJ-125B	200A
	HCJ-125BL	
	HCJ-125B4	
	HCJ-125BL4	350A
	HCJ-125BL4	
KJ-PS	PDS-100A	100A
	PDS-100A1	
	PDS-200A	200A
	PDS-200A1	
	PDS-350A	350A
PDS-350A1		
KJ-PS	KJ-PS	250A

Tropical version (custom-made)
Terminal screws are made of stainless steel.

Bus bar thickness

Code	Thickness
(none)	5~6mm
L	3~4mm

Wire connection type and bus tickness

Code	Wire connection	Type
F	Front connection (3 pole)	KJ, NJ CJ
B	Back connection (3 pole)	KJ, HJ HCJ
B4	Back connection (4 pole)	HJ, HCJ
A	Crimp style (3 pole)	PDS
A1	Crimp style (3 pole) (1 pole additional product for 4 pole use.)	PDS

* Contact us for using lubricant at contacting parts.



LINE SIDE SERIES (PRIMARY POWER DISCONNECT DEVICE)

HJ TYPE, HCJ TYPE

This is a high insulative protection type of which clips are enclosed with housing.

FEATURES

■ Protective structure for live part

The clip is provided with insulation protection, thereby it greatly improves safety and reliability.

B / BL type

The HJ series is a back connection type including the HCJ series that is an insulation protection type of the CJ series. It is classified into 2 types, type B for busbar thickness of 5 to 6 mm and type BL for 3 to 4 mm. Each type is available in 2 models for current of 125A and 250 A. Each model has a 4-pole version. Thus, a total of 12 models is available for selection.

SPECIFICATIONS (RATINGS, PERFORMANCE)

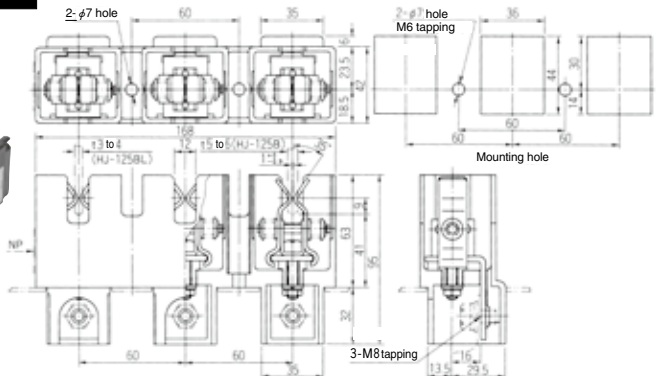
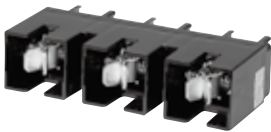
Type	HJ -125B	HJ -125BL	HJ -125B4	HJ -125BL4	HJ -250B	HJ -250BL	HJ -250B4	HJ -250BL4	HCJ -125B	HCJ -125BL	HCJ -125B4	HCJ -125BL4
Rated insulation voltage (Ui)	600V				600V				600V			
Rated current-carrying capacity (Ith)	125A				250A				125A			
Bus thickness	5 to 6mm	3 to 4mm	5 to 6mm	3 to 4mm	5 to 6mm	3 to 4mm	5 to 6mm	3 to 4mm	5 to 6mm	3 to 4mm	5 to 6mm	3 to 4mm
Product weight	520g		700g		610g		810g		465g		620g	

STANDARD PRODUCTS

HJ-125B (for 5 to 6mm)

HJ-125BL (for 3 to 4mm)

– Back connection type –





LINE SIDE SERIES (PRIMARY POWER DISCONNECT DEVICE)

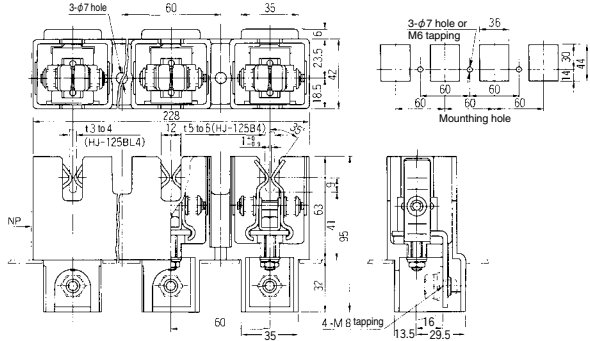
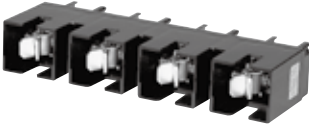
HJ TYPE, HCJ TYPE

STANDARD PRODUCTS

HJ-125B4 (for 5 to 6mm)
HJ-125BL4 (for 3 to 4mm)

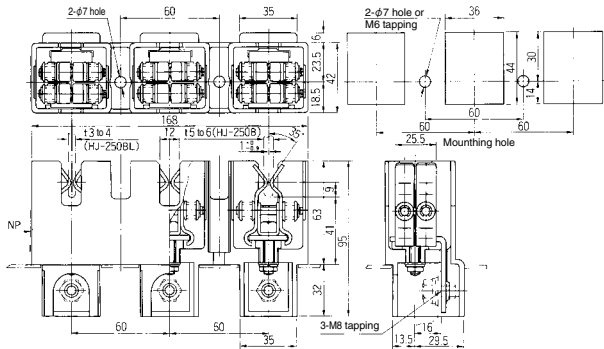
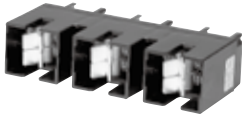
– Back connection type –

4-poles



HJ-250B (for 5 to 6mm)
HJ-250BL (for 3 to 4mm)

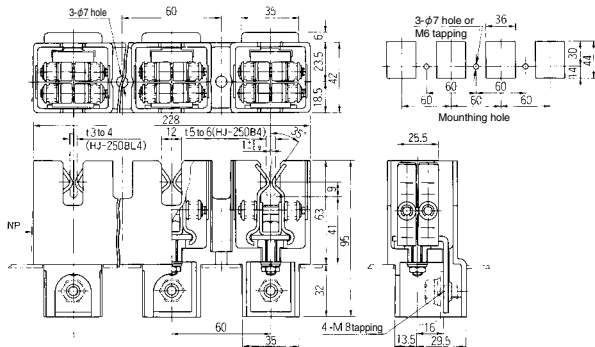
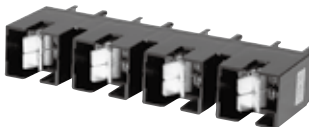
– Back connection type –



HJ-250B4 (for 5 to 6mm)
HJ-250BL4 (for 3 to 4mm)

– Back connection type –

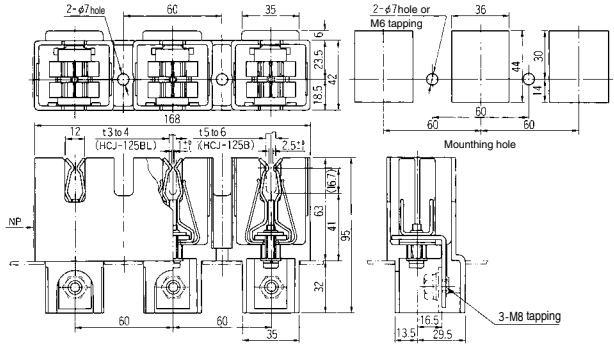
4-poles



CONTROL CENTER PARTS

HCJ-125B (for 5 to 6mm) HCJ-125BL (for 3 to 4mm)

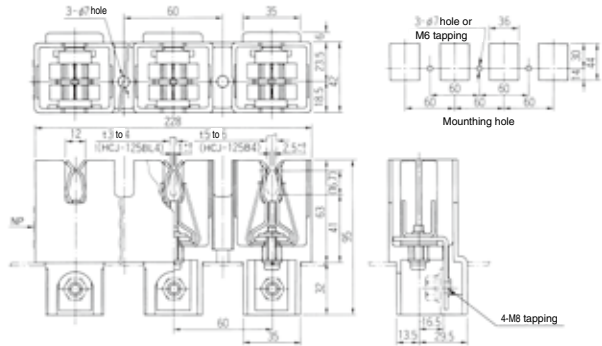
- Back connection type -



HCJ-125B4 (for 5 to 6mm) HCJ-125BL4 (for 3 to 4mm)

- Back connection type -

4-poles



A SWITCH

B PILOT LAMP &
INDICATOR

C CONNECTING
DEVICES

D ELECTRONIC
DEVICES

E CONTROL
CENTER PARTS