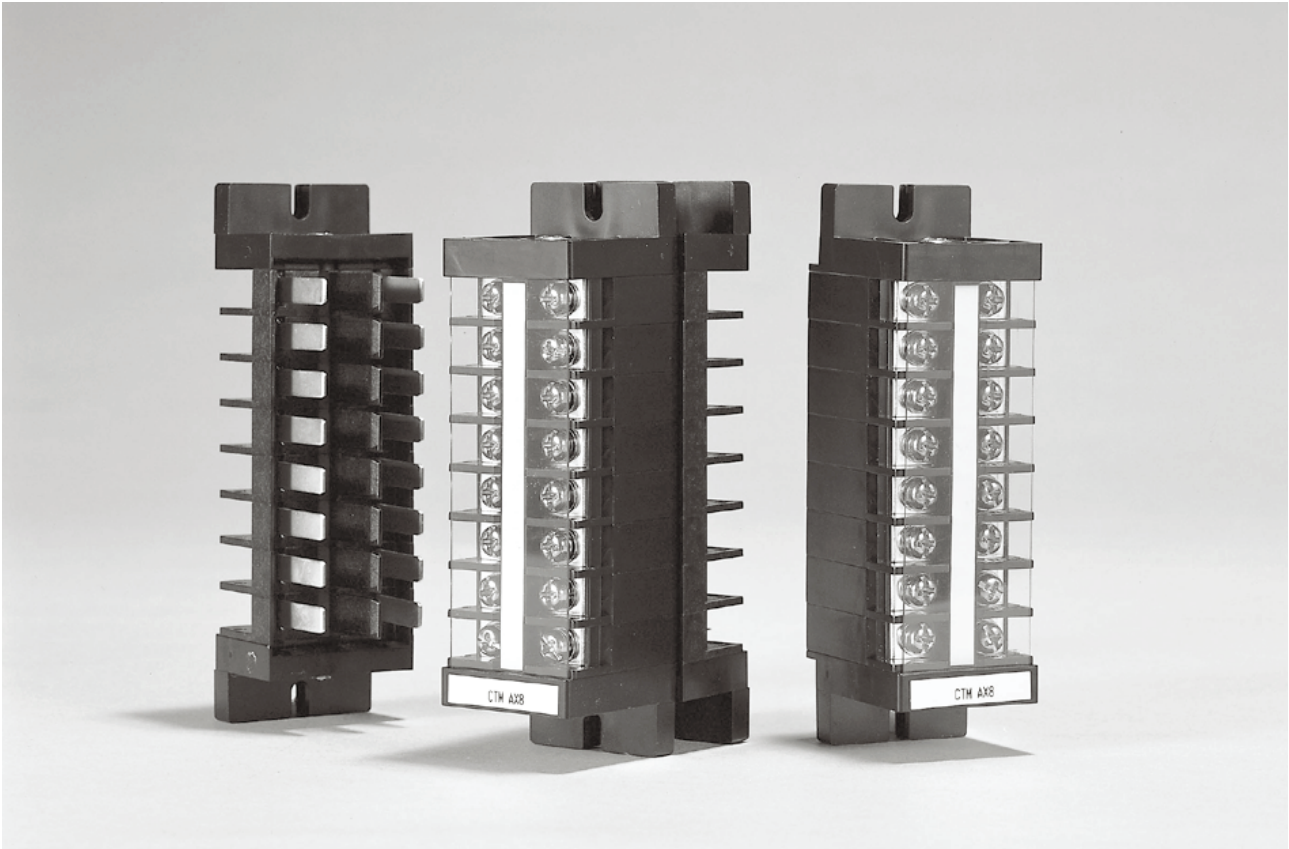


RECTANGULAR CONNECTOR

CTM-TYPE

TERMINAL
A BLOCK



B CONNECTOR

C CONTROL
CENTER PARTS

D TEST TERMINAL

E PILOT LAMP &
INDICATOR

F SWITCH

G ELECTRONIC
DEVICES

FEATURES

- This connector can be used with an input transformer or current protection relay for CT circuit connection use.
- The contacts have highly reliable contacting performance; it is compactly designed and yet enable large current-carrying of 5 A.
The contact pressure is high, while the connection / disconnection load is small.
- The plug and socket can only be inserted in a single direction to prevent any wrong insertion by the plug stopper.

SPECIFICATIONS (RATINGS, PERFORMANCE)

Specification \ Type	CTM	CTMH	CTMX
Rated insulation voltage (Ui)		250V	
Rated current-carrying capacity (Ith)		5A	
Max. wire size		2mm ²	
Screw size		M3.5×7	
Rated withstand voltage	(Live part to assembly mounting panel) 2,000V AC / 1 min. / (Between live parts) 2,000V AC / 1 min.		
Lightning impulse	(Between live parts and mounting panel) ±7kV / 3 times for each pole (1.2 / 50μs) (Between live parts) ±4.5kV / 3 times for each pole (1.2 / 50μs)		
Short-time current	200A 1 sec.		
Contact resistance	Between poles 10mΩ max. (initial value)		
Shock resistance	50 G or more / each axial direction		
Operating temperature	-20 to 50°C		
Storing temperature	-40 to 85°C		
Relative humidity	85% max.		
Altitude	2,000 m max.		



RECTANGULAR CONNECTOR

CTM-TYPE

HOW TO ORDER

Plug side

CTM-S9

Basic type		Pole No.(max. 12 poles)		
Code	Shape	plug	Code	Shape
CTM	Vertical angle(standard)	S	Standard plug	
CTML	L-angle	J	L-angle screw terminal	

Applicable to both A and V type socket.

Socket side

CTM-A6V3

Basic type		Pole No.(max. 12 poles)		Code	Type
Code	Shape			A	for currentf
CTM	Screw terminal			V	for voltage
CTMH	Screw terminal with convex				
CTMX	Up-screw terminal with convex				

*For details, see below.

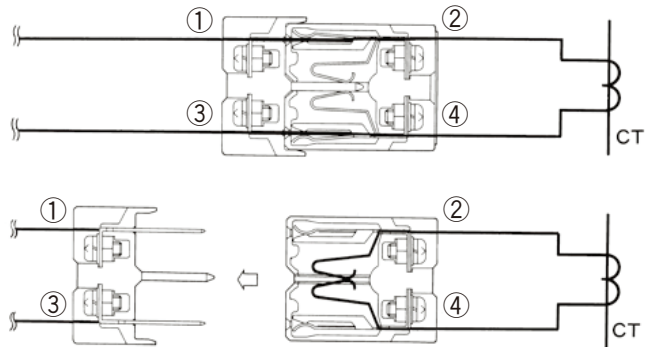
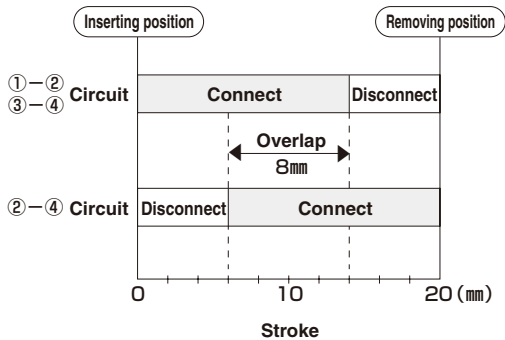
Plug and socket

CTM-SA6SV3

Basic type		Pole No.		Code	Type
Code	Shape	Plug and socket set		SA	for current (S plug)
CTM	Screw terminal			SV	for voltage (S plug)
CTMH	Screw terminal with convex			JA	for current (J plug)
CTMX	Up-screw terminal with convex			JV	for voltage (J plug)

CT circuit

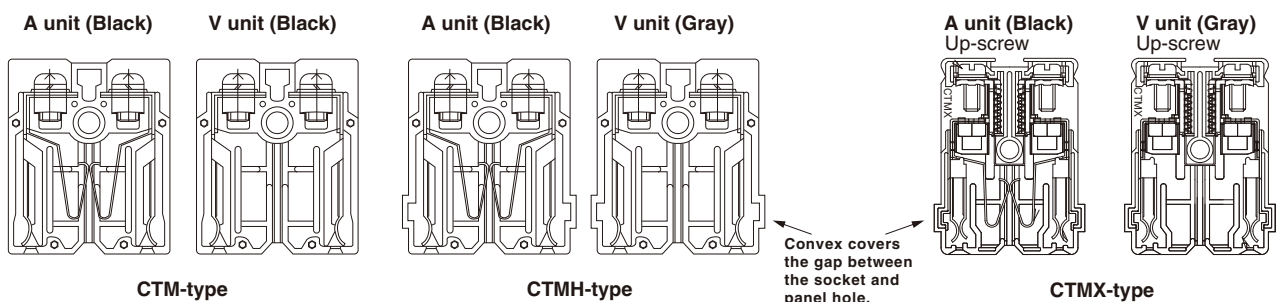
Since a contactor is incorporated inside (CTM-A type), each circuit is short-circuited during removing to prevent the CT circuit from opening.



Note: The above stroke has tolerance of about 1 mm in standard value. Pay careful attention to this point for your design.

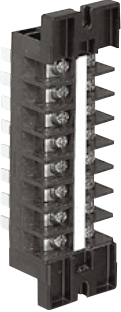
Differences between CTM and CTMH

The shapes of the unit (socket side) between the CTM and CTMH types are different. The CTMH type uses different colors to visually discriminate between the current type (A type) and the voltage type (V type). The CTMX connector is the up-screw type which improves ease of use.

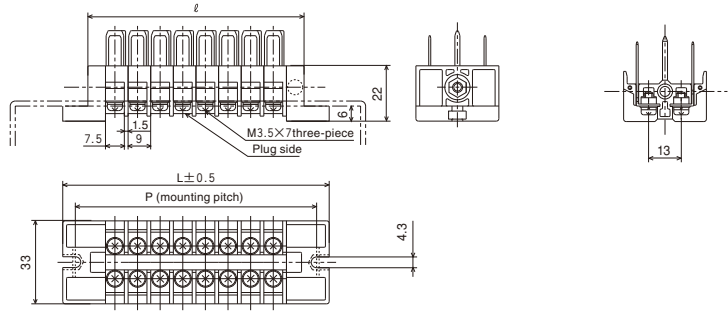


STANDARD PRODUCTS

CTM-S Pole No. (Plug)



* Common plug for A type and V type.
(Applicable to CTM, CTMH, CTMX type)

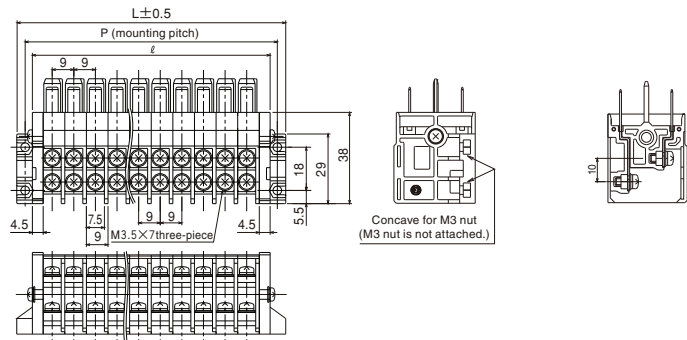


Pole	2	3	4	5	6	7	8	9	10	11	12
ℓ	32	41	50	59	68	77	86	95	104	113	122
P	42	51	60	69	78	87	96	105	114	123	132
L	52	61	70	79	88	97	106	115	124	133	142

CTML-J Pole No. (Plug)

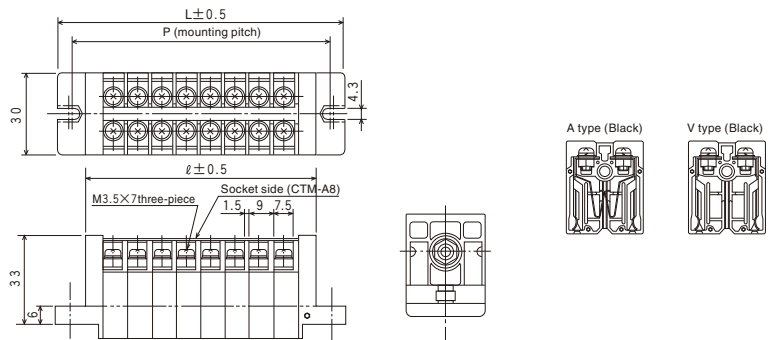
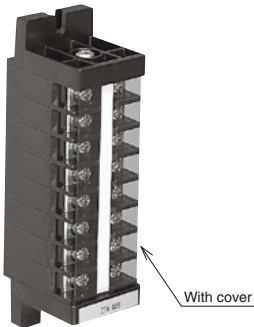


* Common plug for A type and V type.
(Applicable to CTM, CTMH, CTMX type)



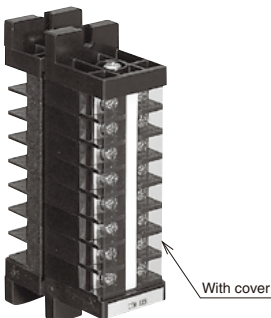
Pole	2	3	4	5	6	7	8	9	10	11	12
ℓ	27	36	45	54	63	72	81	90	99	108	117
P	33	42	51	60	69	78	87	96	105	114	123
L	40	49	58	67	76	85	94	103	112	121	130

CTM-Type Pole No. (Socket)

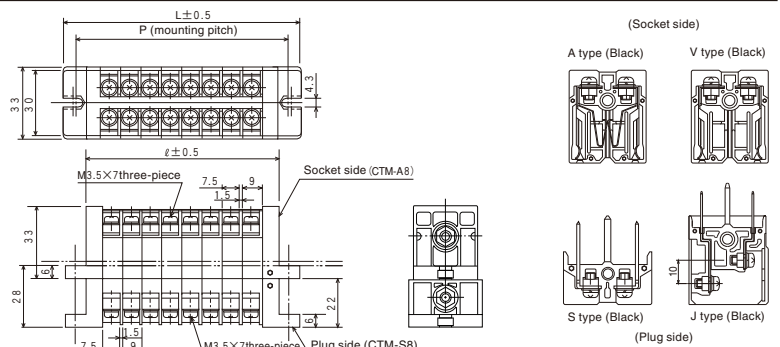


Pole	2	3	4	5	6	7	8	9	10	11	12
ℓ	32	41	50	59	68	77	86	95	104	113	122
P	42	51	60	69	78	87	96	105	114	123	132
L	52	61	70	79	88	97	106	115	124	133	142

CTM-Type Pole No. (Plug, socket)



* For a combination of the A and V types
Example: CTM-SA4SV4



Pole	2	3	4	5	6	7	8	9	10	11	12
ℓ	32	41	50	59	68	77	86	95	104	113	122
P	42	51	60	69	78	87	96	105	114	123	132
L	52	61	70	79	88	97	106	115	124	133	142

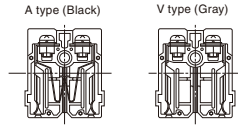
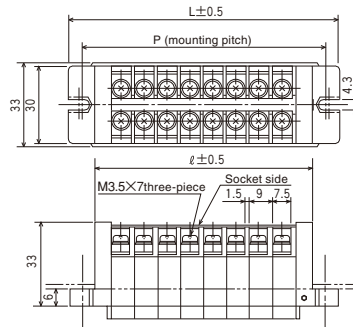
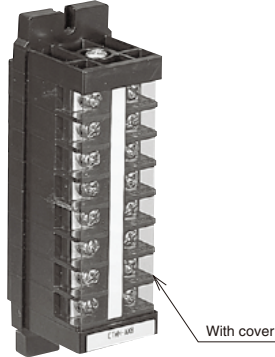


RECTANGULAR CONNECTOR

CTM-TYPE

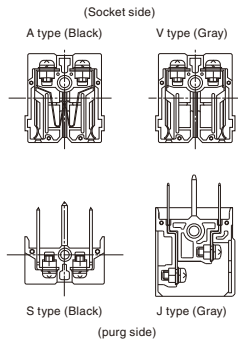
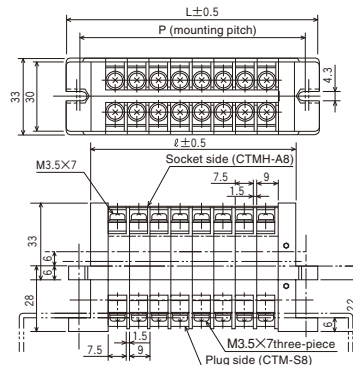
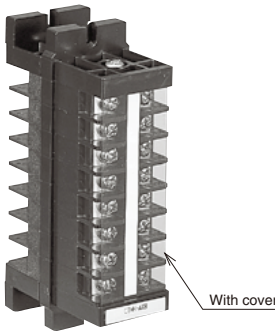
STANDARD PRODUCTS

CTMH-Type Pole No. (Socket)



Pole	2	3	4	5	6	7	8	9	10	11	12
ℓ	32	41	50	59	68	77	86	95	104	113	122
P	42	51	60	69	78	87	96	105	114	123	132
L	52	61	70	79	88	97	106	115	124	133	142

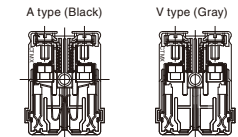
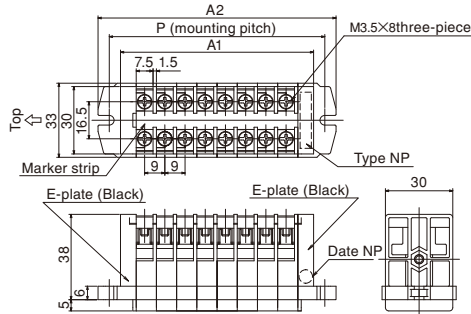
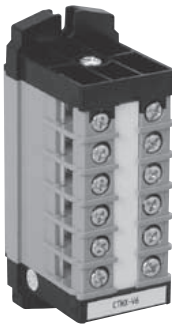
CTMH-Type Pole No. (Plug, socket)



Pole	2	3	4	5	6	7	8	9	10	11	12
ℓ	32	41	50	59	68	77	86	95	104	113	122
P	42	51	60	69	78	87	96	105	114	123	132
L	52	61	70	79	88	97	106	115	124	133	142

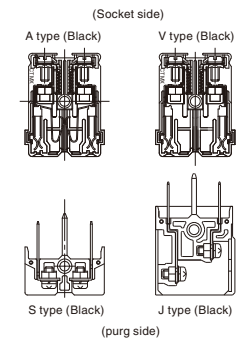
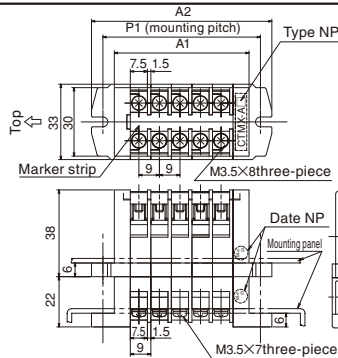
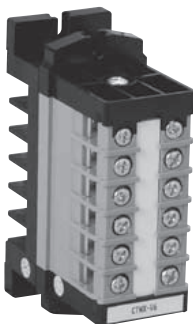
* For a combination of the A and V types
Example: CTM-SA4SV4

CTMX-Type Pole No. (socket)



Pole	2	3	4	5	6	7	8	9	10	11	12	13	16
A1	32	41	50	59	68	77	86	95	104	113	122	131	158
A2	52	61	70	79	88	97	106	115	124	133	142	151	178
P1	42	51	60	69	78	87	96	105	114	123	132	141	132

CTMX-Type Pole No. (Plug, socket)



Pole	2	3	4	5	6	7	8	9	10	11	12	13
A1	32	41	50	59	68	77	86	95	104	113	122	131
A2	52	61	70	79	88	97	106	115	124	133	142	151
P1	42	51	60	69	78	87	96	105	114	123	132	141