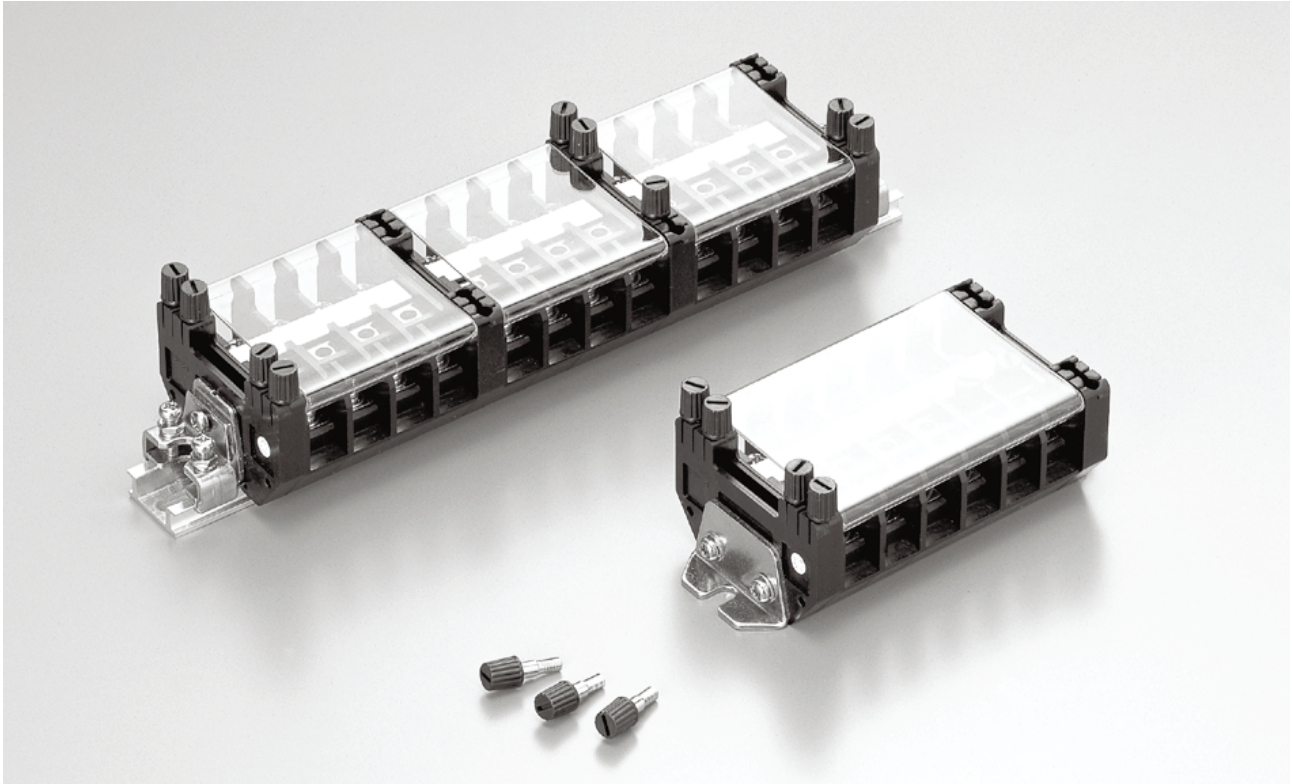




TERMINAL BLOCK WITH SHORT CIRCUIT

TU-ST TYPE



FEATURES

- TU-ST can make short circuits by insertion of short bolts.
- Making short circuit of CT circuit and change of tapping position can be easily done.
- Short bolts, when not used, can be retained in the end plate, which eliminates the risk of loss of bolts.

SPECIFICATIONS

Type	TU-ST
Specification	
Rated insulation voltage (Ui)	600V
Rated current-carrying capacity (Ith)	40A
Max. wire size	14mm ²
Screw size	M5×10 (SUS)
Withstand voltage	1 minute at 2,500V AC
Lightning impulse	±8kV / 5 times for each pole (1.2 / 50 μs)
Operating temperature	-25 to 50°C
Storing temperature	-40 to 85°C
Altitude	2,000 m max.

How to order of terminal blocks

The TU-ST type is sold only as assembly.

TU-ST-6 × **4** **UD**

Basic type * Designation of rail assembly (UD or UF)

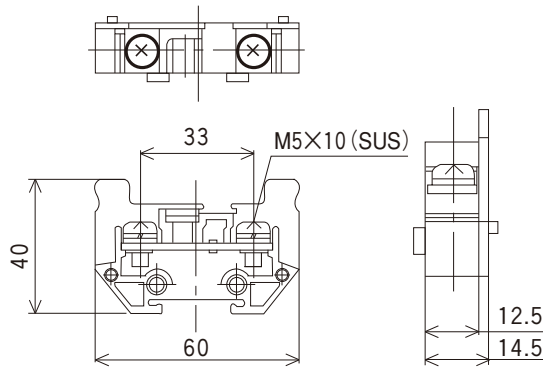
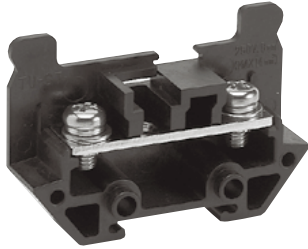
Number of groups in unit block (*)

Pole that can be short circuited. (2 to 9)

- Short bolts are not included in assembly. (Please place order separately.)
- Max. No. of short circuited units is 9.
- Normal order is assembled with a shaft.

STANDARD PRODUCTS

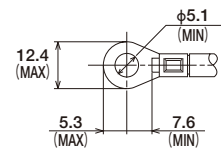
TU-ST (40A)



●Applicable accessories

End plate	TUE-ST
Standard marker strip	TUM-2
Standard rail	TUB
End clamp	TUL-W
Cover	TUC-15
Short bolt	TU-ST S bolt

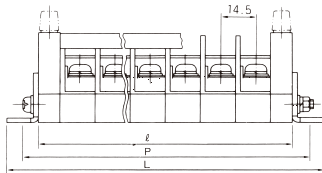
●Applicable crimp terminal



* With insulation cover

TABLE OF ASSEMBLED DIMENSIONS

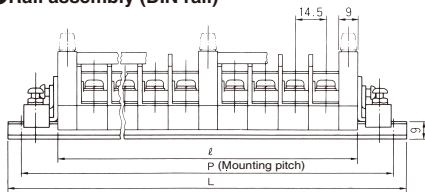
●Shaft assembly



Dimensions	Pole	2	3	4	5	6	7	8	9
l		47	62	76	91	105	120	134	149
P		62	77	91	106	120	135	149	164
L		73	88	102	117	131	146	160	175

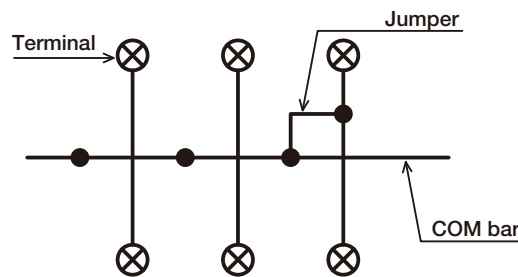
P = L-17

●Rail assembly (DIN rail)



Number of groups	Pole	2	3	4	5	6	7	8	9
1	L=97	117	137	137	157	177	177	197	197
2		137	157	197	217	257	277	317	337
3		177	217	257	297	357	397	437	417
4		217	277	337	377	437	497	557	637
5		257	317	397	477	537	637	677	777

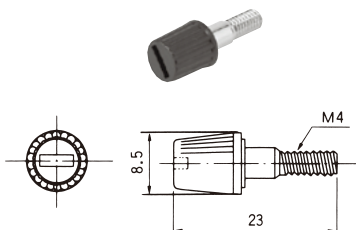
CIRCUIT DIAGRAM



ACCESSORIES

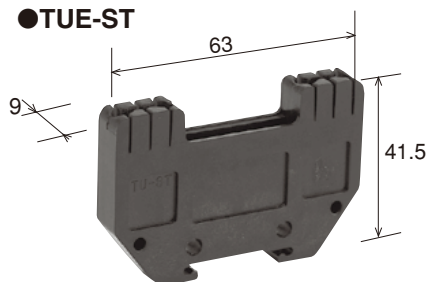
Short bolt

●TU-ST S bolt



End plate

●TUE-ST



* For other accessories, refer to the accessories for the screw-type terminal blocks on A51.

A84