



■ Handle code


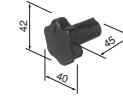


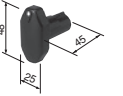
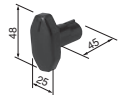


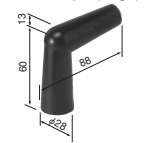


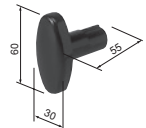
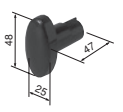


HOW TO ORDER

LDP-B

Handle code

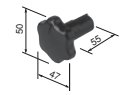


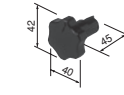
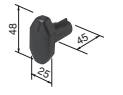
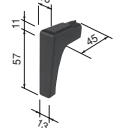
Code	Color
B	N1.5
BG	7.5BG3/3.5

Code	LDP	LD
Shape	Rose shape (large) with one point 	Rose shape (large) 

Code	HDP	HD	LFP	LF	HFP
Shape	Rose shape (small) with one point 	Rose shape (small) 	Octagonal shape (large) with one point 	Octagonal shape (large) 	Octagonal shape (small) with one point 
Code	HF	LP	HP	MP	HR
Shape	Octagonal shape (small) 	Stick shape (large) 	Stick shape (small) 	Pistol shape (large) 	Pistol shape (small) 
Code	LS*	LE	HE	HSP	USP
Shape	Knob shape 	Egg shape (large) 	Egg shape (small) 	Beak shape (large) 	Beak shape (small) 

* The shaft for the LS handle is 13 mm shorter than the standard shaft. Therefore, other types of handles cannot be replaced with the LS handle (knob shape).

[Handle code (For dual body type / pulling lock and pushing lock type)]

Code	BD	BF	BP	MD	MF
Shape	Rose shape (large) 	Octagonal shape (large) 	Stick shape (large) 	Rose shape (small) 	Octagonal shape (small) 
Code	MQ	MR			
Shape	Stick shape (small) 	Pistol shape (small) 