

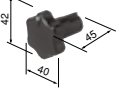
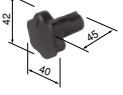
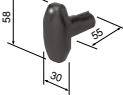

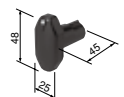
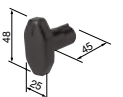



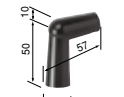
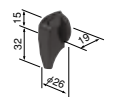

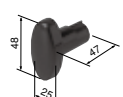


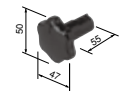

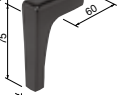
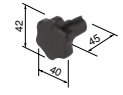
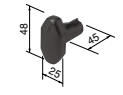
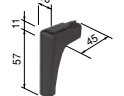


■ Handle code

Code	LDP	LD	HDP	HD	LFP
Shape	Rose shape (large) with one point 	Rose shape (large) 	Rose shape (small) with one point 	Rose shape (small) 	Octagonal shape (large) with one point 
Code	LF	HFP	HF	LP	HP
Shape	Octagonal shape (large) 	Octagonal shape (small) with one point 	Octagonal shape (small) 	Stick shape (large) 	Stick shape (small) 
Code	MP	HR	LS*	LE	HE
Shape	Pistol shape (large) 	Pistol shape (small) 	Knob shape 	Egg shape (large) 	Egg shape (small) 
Code	HSP	USP			
Shape	Beak shape (large) 	Beak shape (small) 			

* The shaft for the LS handle is 13 mm shorter than the standard shaft. Therefore, other types of handles cannot be replaced with the LS handle (knob shape).

■ Handle code (For dual body type / pulling lock and pushing lock type)

Code	BD	BF	BP	MD	MF
Shape	Rose shape (large) 	Octagonal shape (large) 	Stick shape (large) 	Rose shape (small) 	Octagonal shape (small) 
Code	MQ	MR			
Shape	Stick shape (small) 	Pistol shape (small) 